

# STOP Your EXTRA-LARGE Workpieces!



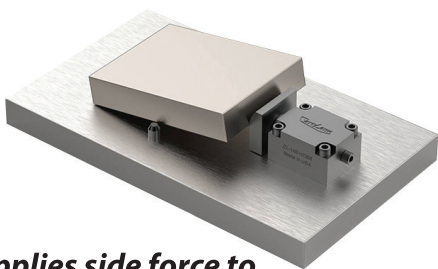
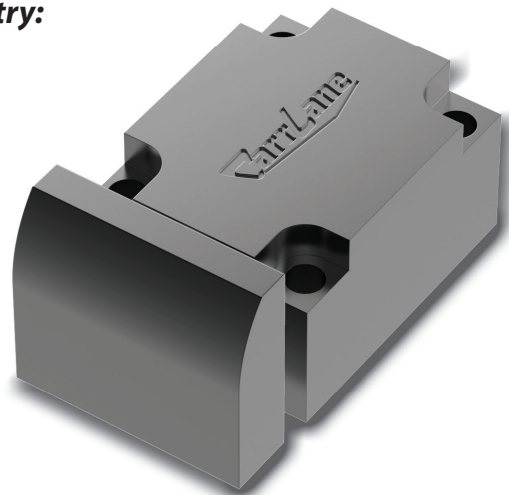
*Ideal for...*

*Construction industry:  
boom lifts, etc.*



*Agricultural industry:  
planters, etc.*

## New **HEAVY-DUTY** Spring Stop



*Applies side force to  
a flat-sided workpiece*

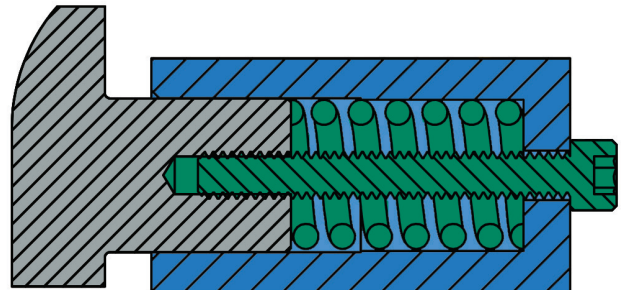
- **MASSIVE!** Our largest and strongest spring stop button
- Radiused top edge makes loading easier
- Made of robust 1018 steel for maximum strength

**Carr Lane**  
MANUFACTURING CO.

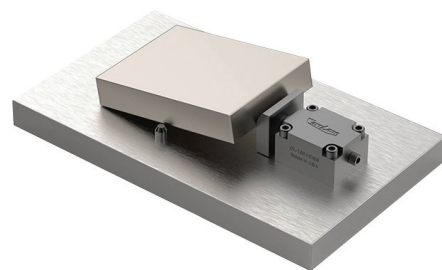
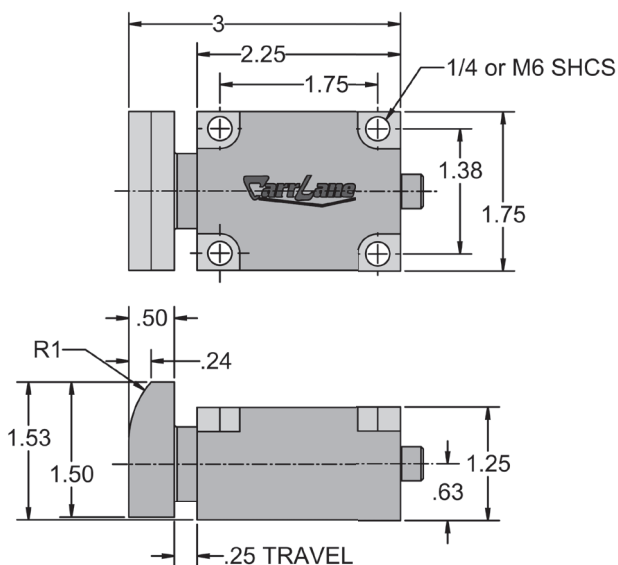
Carr Lane Mfg. Co. | 314.647.6200 | [www.carrlane.com](http://www.carrlane.com)

These massive spring-loaded stops are the largest and strongest of all the Spring Stop Buttons that we manufacture. Heavy-Duty Spring Stops have a large contact face and are useful for applying side force to hold a workpiece against its locators until clamps are in place. For some workholding applications, including many welding fixtures, a spring stop this strong can often be used without additional clamps. Mid-stroke spring force is approximately 100 lbs.

The large flat contact face is ideal for pushing flat-sided workpieces, with a radiused top edge to make loading easier. Heavy-Duty Spring Stops have a large-diameter plunger with a long bearing length to effectively resist loads applied to the top of the contact face. The plunger and body are both made of steel for maximum strength.



- Heavy-Duty Spring Stops have a large-diameter plunger with a long bearing length to effectively resist loads applied to the top of the contact face.
- The radiused top edge makes loading easier.



PART NO.	STROKE	CONTACT FORCE (LBS)		
		INITIAL	HALFWAY	FINAL
CL-100-HDSS	1/4	50	105	160